

ALUBAR[®] CHAMPCAP[®]



CLOSURE for carbonated - pressure beverages.

Specially designed for soft drinks, this tamper-evident short-skirt closure includes flowed in liner.

It is intended for use with screw finish for glass GME 320.

At the capping stage, the cap must be applied to the finish by means of a pressure block to ensure pressure integrity of at least 9 bar.

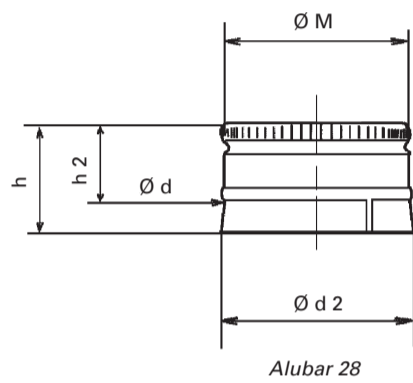
Large knurl option can allow the application of a CHAMPLAST[®] over.

ALCAN PACKAGING

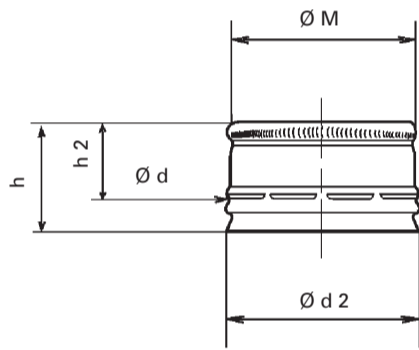




ALUBAR® CHAMPCAP®



Alubar 28



Champcap 28

GLASS FINISHES: GME 320
MCA 1 MCA 2 MCA 3

ALUBAR® 28 and CHAMPCAP® 28 must be fitted to the sealing surface using a pressure block (Ø 26,55 H 2 to 2,5) to allow for optimum pressure resistance.

Size	+/- 0.2 Ø M	Ø d min. inside	Ø d2 min. inside	+ 0.2 h 2 - 0.3	+ 0.2 h - 0.3	Profil	Code profil
Alubar 28	28,5	27,65	28,3	11,5	15,45	1	33512
Alubar 28 2 splits	28,5	27,65	28,3	11,5	15,45	1	32924
Champcap 28*	28,5	27,65	28,3	11,5	15,45	2	32927

* vertical load pressure : 200daN (+/-20)

Market

Capsules

If you would like further information, or to talk to one of our specialists, please contact us via:

Email: info.capsules@alcan.com
Website: www.alcanpackaging.com

ALCAN PACKAGING

