

ACCESSORY FOR CHAMPAGNE and SPARKLING WINES

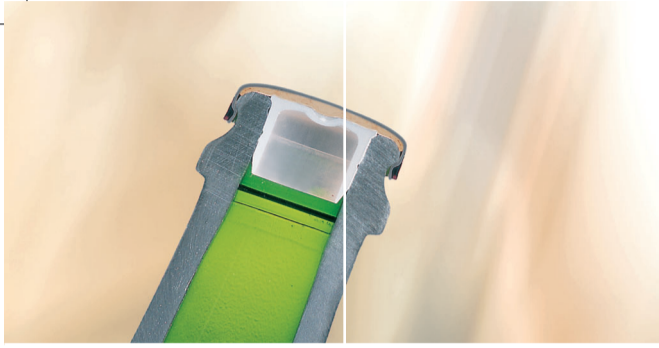
Specially designed for bottling Champagne, this seal is made from injected PE.

During turning, it acts as a sediment trap ; it facilitates the directional ejection of the sediment during the "disgorging" phase. This bidule is held in place by a "crown" cap with a gasket.

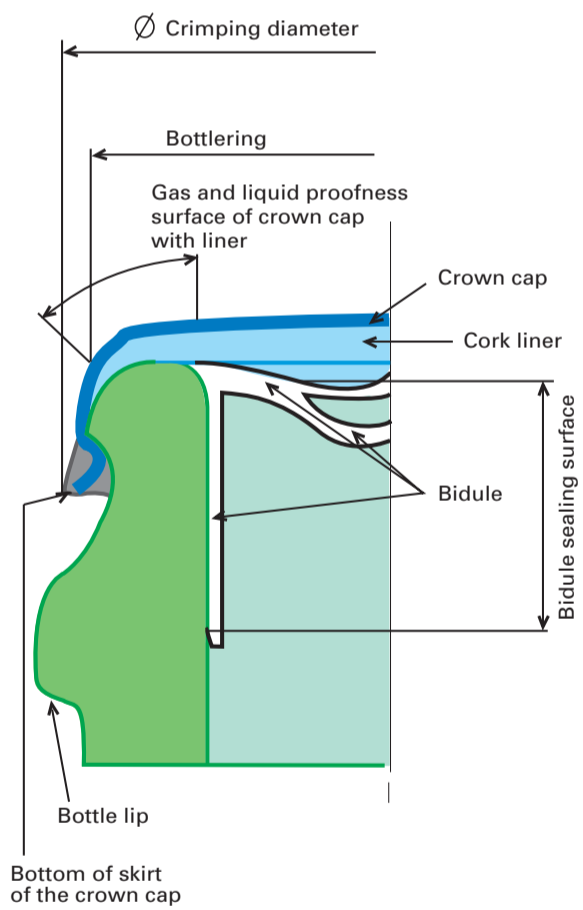
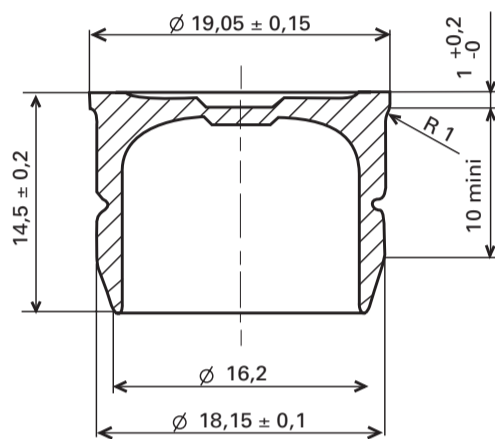
Important : this bidule is not reusable.

ALCAN PACKAGING





BIDULE



Application

- compatible with glass crown finish 29 Champagne – NF H35-029.
- helps to ensure the pressure integrity of the contents between bottling and "disgorging".

The bidule must be partially pushed in before the cap is applied.

- Ideal overhang : 2 mm ± 1 relative to the upper sealing surface.
- The maximum penetration force of the seal under the above fitting conditions is 40 DaN.

The speed of the machine should be adjusted so that the Bidule is not misaligned or damaged.

See document CETIE : V.M.Q.P.R.D. specifications of Bottling and shipment seals.

Market

Capsules

If you would like further information, or to talk to one of our specialists, please contact us via:

Email: info.capsules@alcan.com
 Website: www.alcanpackaging.com

ALCAN PACKAGING

